



## CONSTRUCTION SPECIFICATIONS DRAWINGS

FIRECRUNCH K-WALL TS 12 GROOVE BOARD JOINT INSTALLATION MANUAL No.014



NOTE: FCA ref, is FireCrunch Australia



firecrunch.com.au

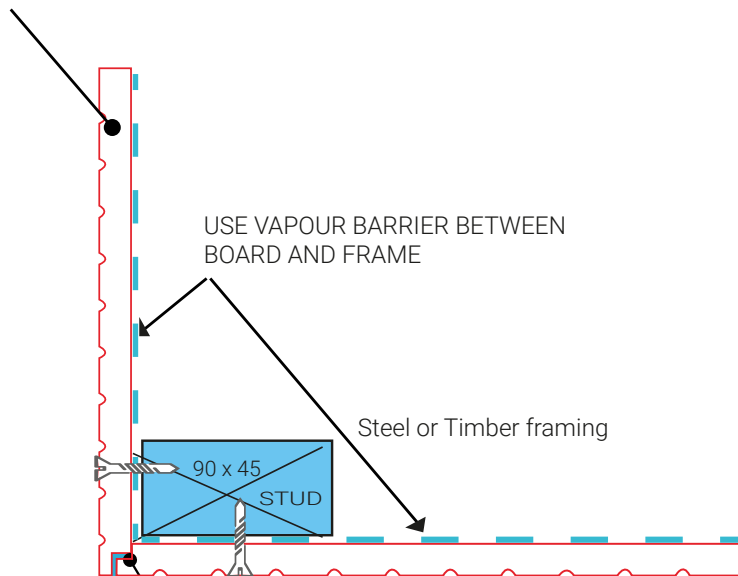


**FIRECRUNCH K-WALL TS 12  
GROOVE BOARD JOINT  
INSTALLATION MANUAL No.014**

Corner installations K-WALL TS 12 GROOVE & WEATHER BOARD

Ref No.1 FIRECRUNCH K-WALL :TS 12 Groove Board Joint fixing

FireCrunch TS 12 Board 2700 x1000mm



USE VAPOUR BARRIER BETWEEN BOARD AND FRAME

Steel or Timber framing

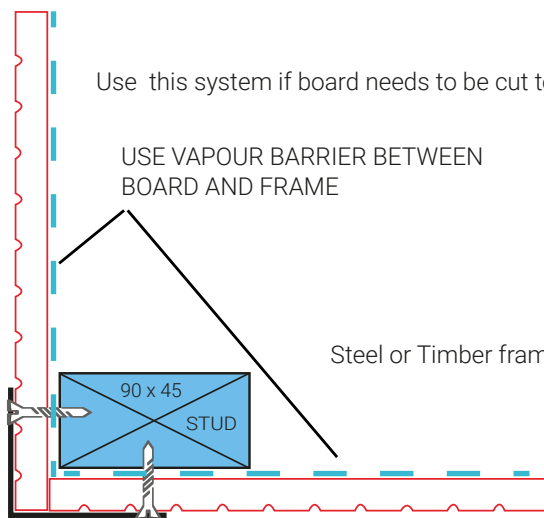
90 x 45  
STUD

Fire and weather seal joints.

This FireCrunch System can be used if full width uncut sheets, used to meet corners using shiplap fit.

Ref No.2

Corner fixing FireCrunch K-WALL TS 12 PLAN VIEW  
Weather Board / Groove Board



Use this system if board needs to be cut to fit to corners

USE VAPOUR BARRIER BETWEEN BOARD AND FRAME

Steel or Timber framing

90 x 45  
STUD

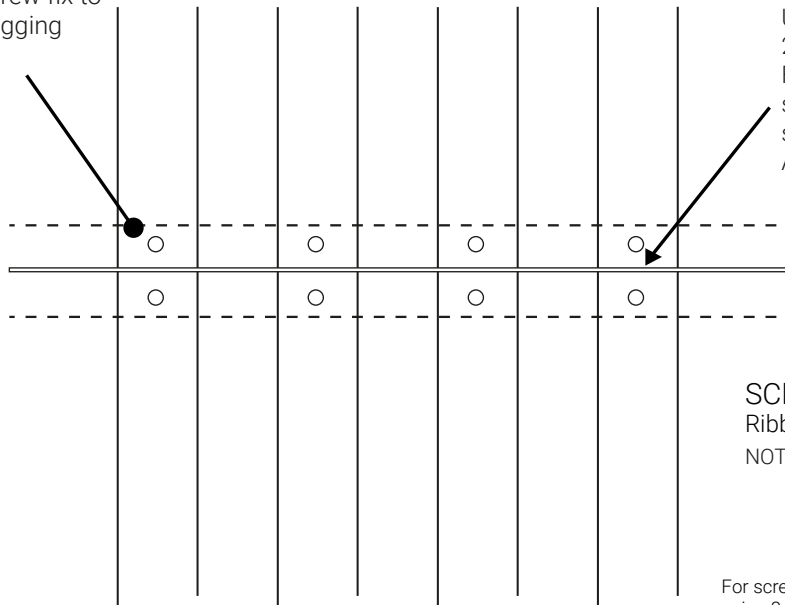
Use min 0.75  
BMT Metal trim  
plate for corners

014

FIRECRUNCH K-WALL TS 12  
GROOVE BOARD VERTICAL JOINT  
INSTALLATION **No.014**

Ref No.3

Vertical set joints FireCrunch K-WALL TS 12 Groove / Weather Board

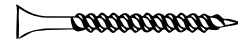
Screw fix to  
nogging

Use Bostik FIREBAN fire sealant AS/1530.4 .  
2 beads of 3mm on nogging face, push  
FireCrunch board together, with 6mm fire  
sealant GAP and screed off any surface excess  
sealant and clear each vertical slot of sealant.  
And allow 24 hrs to set / cure.

Horizontal Nogs to secure onto for vertical  
set joints use flashing plate and weather fire  
seal 6mm gap joint. approx 300mm centres  
2 pack epoxy fill.

**SCREWS** Use only Countersunk  
Ribbed Head Class 2 / 3 screws.

NOTE: Do not nail FireCrunch or warranty will be voided.



For screwing FireCrunch boards to Timber framing, we recommend  
using 8-10 Self countersinking Ribbed Head Class 2 / 3 screws  
corsens proof screws .

**IMPORTANT:**

Ensure the total face of the FireCrunch K-WALL TS 12 board is sealed with  
**Klaas Coatings S1 Primer Sealer** ( WARRANTY), before applying a water based finished paint.  
Render, follow MFG instructions

**NOTE**

THESE DIAGRAMS ARE A GUIDE ONLY AND INDIVIDUAL BUILDERS MAY CHOOSE TO VARY THESE  
OPTIONS PROVIDING THE FIRE RATED AREA ELEMENTS ARE NOT CHANGED AND ONLY RECOM-  
MENDED SUPPORT PRODUCTS ARE USED .

**SALES**

To order this product quote code:

FCA K-WALL TS 12 - 2700mm x 1000mm and QTY and email  
to [sales@firecrunch.com.au](mailto:sales@firecrunch.com.au) with the quantity required.

Enquire for current pricing and cost for shipment call: 1300 933 102 for  
further Technical inquiries email:[technical@firecrunch.com.au](mailto:technical@firecrunch.com.au)